

SVELS 电缆引入系统 CABLE ENTRY SYSTEMS

KML 框架，集成压紧装置，铝 kit, integrated compression unit, aluminum



KML 10



KML 12



KML 15



KML 16



KML 30

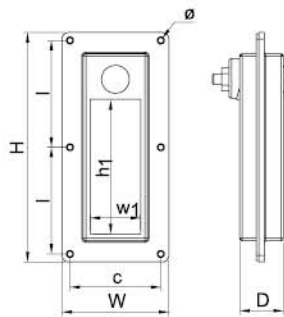


KML 32

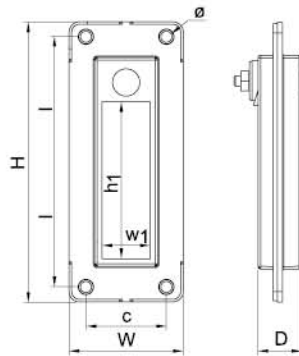
RATINGS IP: 55 UL/NEMA: 3, 12, 12K

型号 Type	所能密封电缆 / 管道的直径范围和数量 Diameter range and number of cables			重量 Weight 千克 kg	订货号 Part No.
	0+3.5-16.5 mm (CM 20W40)	0+9.5-32.5 mm (CM 40 10-32)	0+28-43 mm (CM 50)		
KML 10/4	2 cables	2 cables		0.515	97100401
KML 10/7	6 cables	1 cable		0.515	97100701
KML 10/10	10 cables			0.515	97101001
KML 12/3		3 cables		0.61	97120301
KML 12/6	4 cables	2 cables		0.61	97120601
KML 12/9	8 cables	1 cable		0.61	97120901
KML 12/12	12 cables			0.61	97121201
KML 15/3			3 cables	0.91	97150301
KML 16/4		4 cables		0.666	97160401
KML 16/7	4 cables	3 cables		0.666	97160701
KML 16/10	8 cables	2 cables		0.666	97161001
KML 16/16	16 cables			0.666	97161601
KML 30/6			6 cables	1.40	97300601
KML 32/8		8 cables		1.259	97320801
KML 32/14	8 cables	6 cables		1.259	97321401
KML 32/20	16 cables	4 cables		1.259	97322001
KML 32/32	32 cables			1.259	97323201

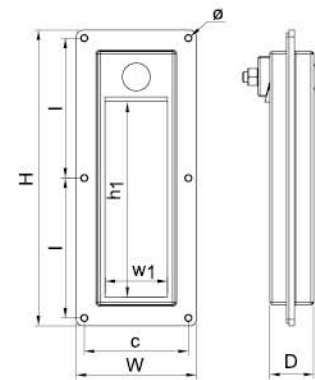
KML 框架, 技术信息 Frame, technical information



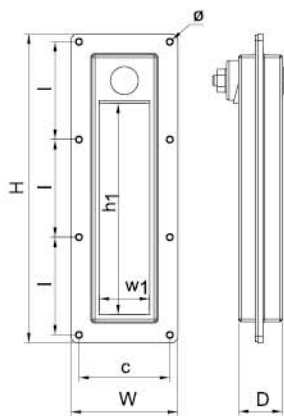
KML 10



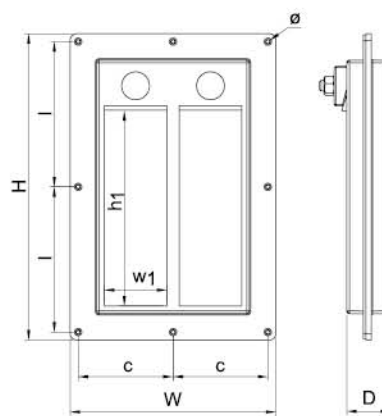
KML 12



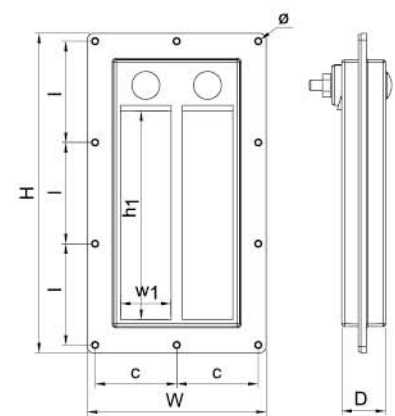
KML 15



KML 16



KML 30



KML 32

Pos	KML 10 (mm)	KML 12 (mm)	KML 15 (mm)	KML 16 (mm)	KML 30 (mm)	KML 32 (mm)
c	68.5	62	78.5	68.5	71.5	61.5
D	33	33	33	33	33	33
H	173	216	223	233	231	241
h1	100	120	150	160	150	160
l	80.5	193	105.5	73.7	109.5	76.33
w1	40	40	50	40	50	40
W	80.5	88	90.5	80.5	155	135
ø	5.5	8.5	5.5	5.5	5.5	5.5