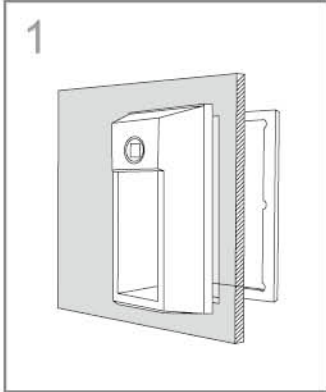
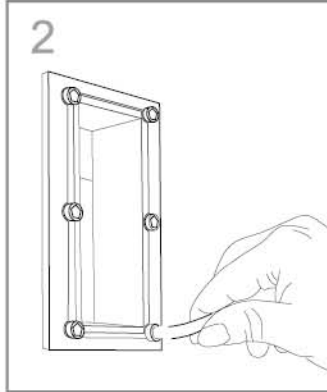


SVLES 电缆引入系统 CABLE ENTRY SYSTEMS

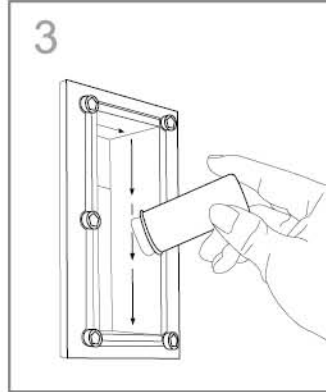
KML 安装说明 HOW TO INSTALL



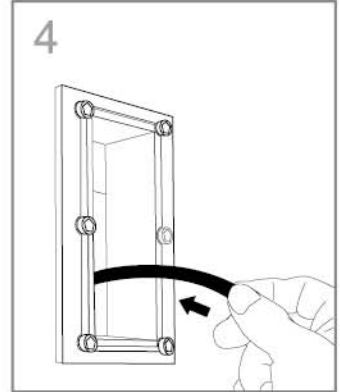
步骤一：将框架安装于箱 / 柜体开孔处。
Install the frame on the opening hole of the box or cabinet.



步骤二：按顺序对称均匀旋紧框架四周的 6 个内六角螺栓。Symmetrize the frame and tighten six inner hex bolts around the frame by turns.



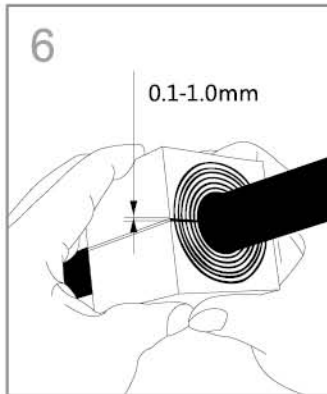
步骤三：将框架彻底清洁，然后用润滑脂充分润滑框架的内表面，尤其是弯角处。Firstly clean the frame thoroughly, apply lubricating grease fully on the inner surface, especially at the corners.



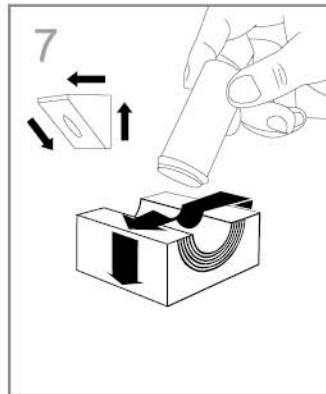
步骤四：将电缆 / 管道穿过框架。
Cross the frame with cables / pipes.



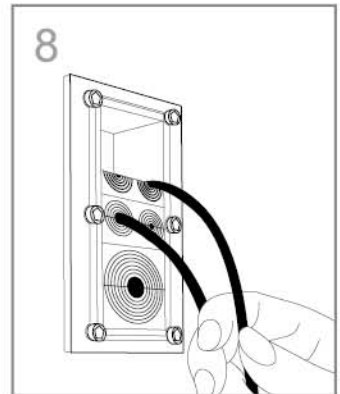
步骤五：剥去变径模块上的变径片，使其与需要密封的电缆 / 管道相配。Remove the adjustable piece on the module and match it with cables / pipes for sealing.



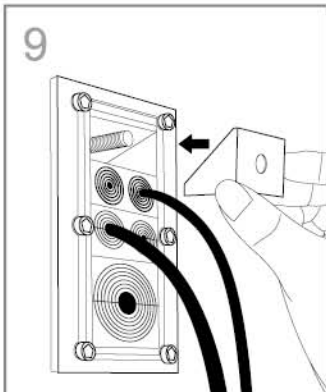
步骤六：模块与电缆 / 管道配合后，其侧隙隙在 0.1-1.0mm 间。Spare the gap of 0.1-1.0mm between two half modules.



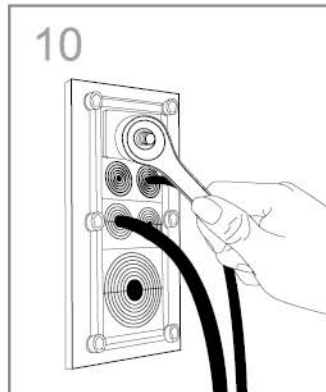
步骤七：用润滑脂将变径模块及楔形压紧块四周涂抹。Apply lubricating grease around the adjustable module and its wedge shaped keeper block.



步骤八：在框架内依次放入变径模块，应优先放置较大的变径模块和电缆 / 管道。Put the adjustable module into the frame once and the larger module and cables/pipes are priority.



步骤九：将带方榫的螺栓装到位后，插入斜面向下的半个压紧块，再装入斜面向上的半个压紧块及小压板、密封垫、平垫和螺母。
Put bolts with square mortise in place, insert half keeper block with the slope down. Then place half block with the upper slope, and put the small plate, gasket, at washer and nut.



步骤十：均匀旋紧螺母至密封。
Rotate the nuts evenly until sealed.