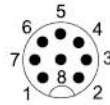


M8 分配器 DISTRIBUTION SYSTEMS

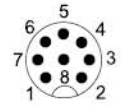
预制插头
Inline face or side mounting

单通道
for 1 signal per port

4 端口 Way



6 端口 Way



1 型号 Form

PNP
NPN

980400
980401

980600
980601

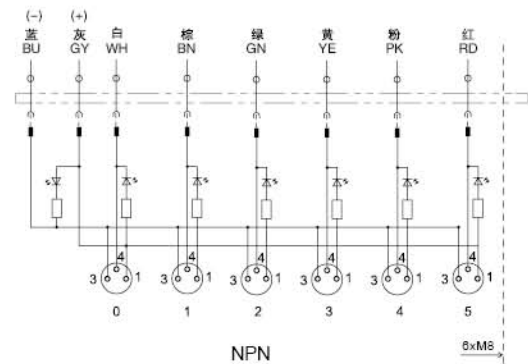
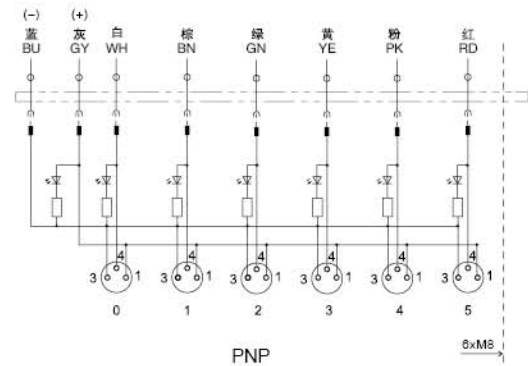
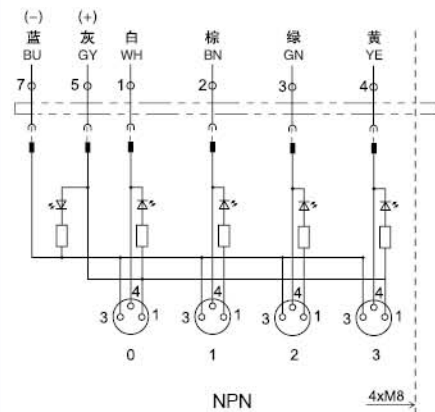
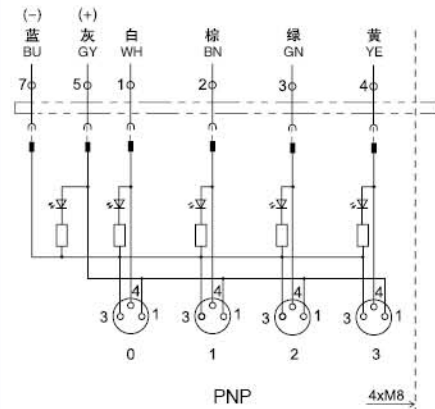
电路图
Circuit diagram

引脚定义:
Contact layout

Pin 1: (+)
Pin 3: (-)
Pin 4: (S1)

LED 显示: 电源 (绿)
LED indicator: green, power
信号 S1 (黄)
yellow, signal

M8 插孔 Female
3-pole



技术参数 Technial data

额定电压 Supply voltage	24 V DC (18...30.2V DC)
额定电流 Combined current	2A
防护等级 Protection	IP65/IP67
温度范围 Temperature range	-20...+70°C

订货号 Part No.

可参考: 1.0.1
Reference: 1.0.1

型号 Form

备注 Notes

配件及技术参数页面 Accessories and technical page: 4.2.18