
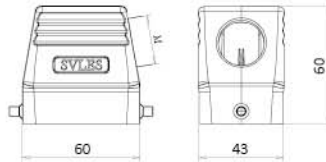

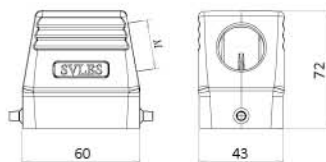

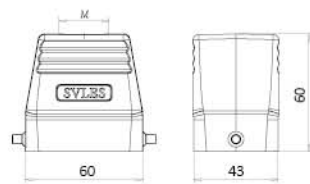

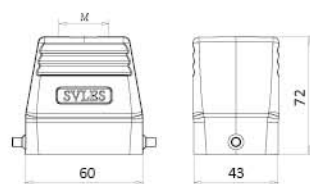

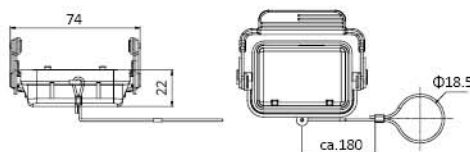


# H6B 防护外壳 HOODS / HOUSINGS SERIES

底座锁扣有：塑料扣，普通金属扣和不锈钢金属扣可选 Levers include metal, plastic and stainless steel  
 保护盖有：塑料保护盖，金属保护盖可选 Cover include plastic and metal covers

名称 Identification	型号 Type	订货号 Part No.	Metr.	比例图 Drawing	尺寸：单位 Dimensions in mm
上壳 侧面进线 Side entry 	H6B-TS-M20 H6B-TS-M25	2300061540 2300061541	20 25		60 43
上壳 侧面进线 高结构 Side entry 	H6B-TSH-M25 H6B-TSH-M32	2300060545 2300060546	25 32		72 43
上壳 顶部进线 Top entry 	H6B-TG-M20 H6B-TG-M25	2300061440 2300061441	20 25		60 43
上壳 顶部进线 高结构 Top entry 	H6B-TGH-M25 H6B-TGH-M32	2300060445 2300060446	25 32		72 43
上壳 保护盖 Protection covers for hoods 	H6B-KDT	2300065423			74 22 ca.180 Φ18.5

备注 Notes：开孔尺寸图请参照 6.12.2 页

B 类防护外壳

# H6B 防护外壳 HOODS / HOUSINGS SERIES


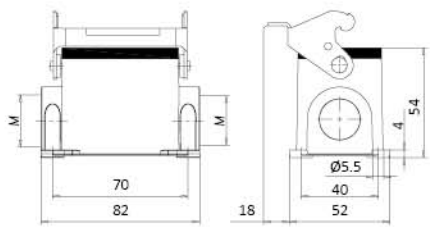

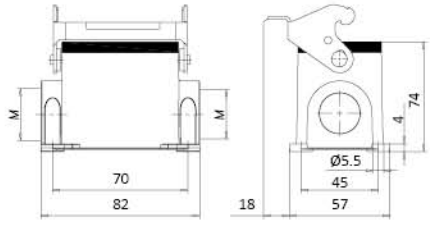

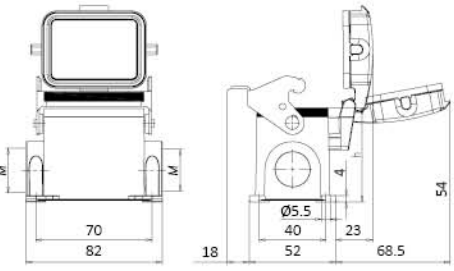

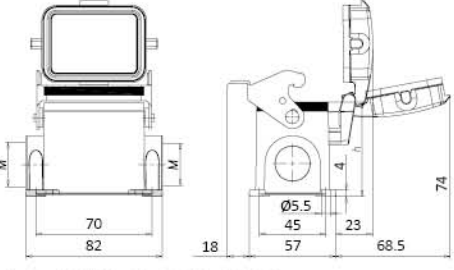

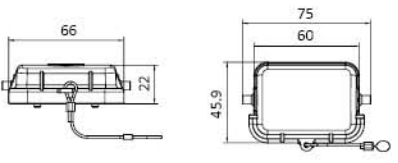
底座锁扣有：塑料扣，普通金属扣和不锈钢金属扣可选 Levers include metal, plastic and stainless steel  
 保护盖有：塑料保护盖，金属保护盖可选 Cover include plastic and metal covers

名称 Identification	型号 Type	订货号 Part No.	Metr.	比例图 Drawing	尺寸：单位 Dimensions in mm
下壳 电缆对接 Cable to cable hood	H6B-TBF-M20 H6B-TBF-M25	2300061750 2300061751	20 25		
下壳 电缆对接 高结构 Cable to cable hood	H6B-TBFH-M32 H6B-TBFH-M40	2300060756 2300060757	32 40		
下壳 开孔安装 Housings, bulkhead mounting	H6B-AG	2300060301			安装开口 Panel cut out 52 x 35mm
下壳 开孔安装 (带盖) Housings, bulkhead mounting	H6B-AD H6B-ADM	带塑料护盖 with plastic cover 2300060302  带金属护盖 with metal cover 2300060318			带保护盖 With thermo cover

备注 Notes: 开孔尺寸图请参照 6.12.2 页

# H6B 防护外壳 HOODS / HOUSINGS SERIES

底座锁扣有：塑料扣，普通金属扣和不锈钢金属扣可选 Levers include metal, plastic and stainless steel  
 保护盖有：塑料保护盖，金属保护盖可选 Cover include plastic and metal covers

名称 Identification	型号 Type	订货号 Part No.	Metr.	比例图 Drawing	尺寸：单位 Dimensions in mm
下壳 表面安装 Surface mounting: Side entry 	H6B-SGR-M20 H6B-SGR-M25 H6B-SGR-2M20 H6B-SGR-2M25	2300061250 2300061251 2300061290 2300061291	1×20 1×25 2×20 2×25		70 82 18 54 4 Ø5.5 40 52
下壳 表面安装 高结构 Surface mounting: Side entry 	H6B-SGRH-M32 H6B-SGRH-2M32	2300061226 2300060292	1×32 2×32		70 82 18 74 4 Ø5.5 45 57
下壳 表面安装 (带盖) Surface mounting: Side entry (cover) 	H6B-SDR-M20 H6B-SDR-M25 H6B-SDR-2M20	2300061255 2300061256 2300061295	1×20 1×25 2×20	带保护盖 With thermo cover 	70 82 18 54 4 Ø5.5 40 52 23 68.5
下壳 表面安装 (带盖) 高结构 Surface mounting: Side entry (cover) 	H6B-SDRH-M32	2300060297	1×32	带保护盖 With thermo cover 	70 82 18 74 4 Ø5.5 45 57 23 68.5
底座保护盖 Protection covers for housings 	H6B-KDB	2300065427			66 72 75 60 45.9

备注 Notes: 开孔尺寸图请参照 6.12.2 页

B 类防护外壳