
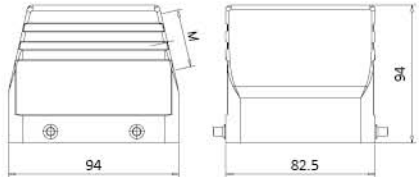

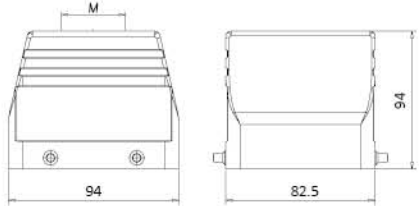

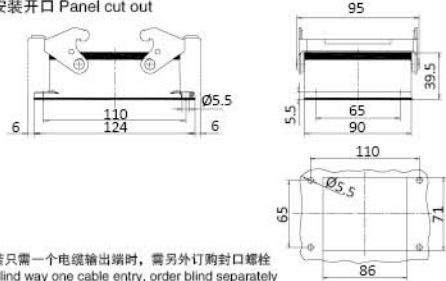

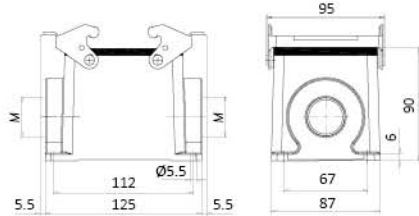

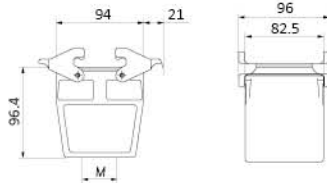

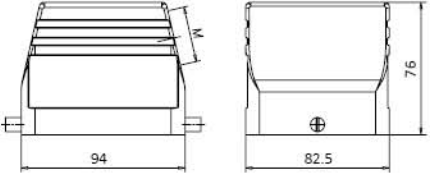

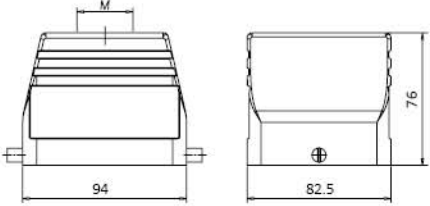

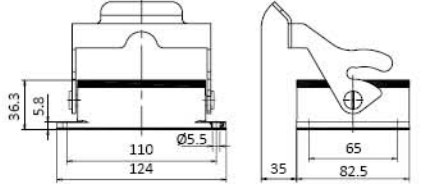

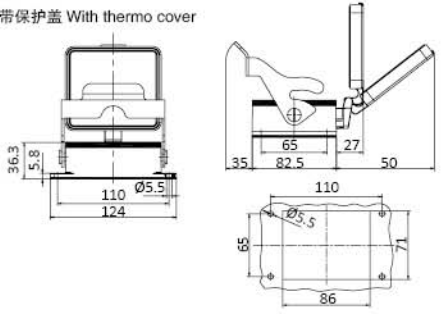

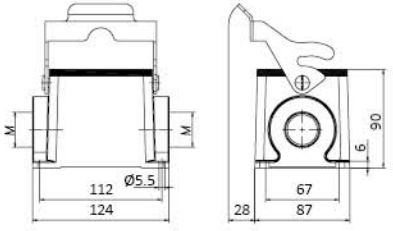

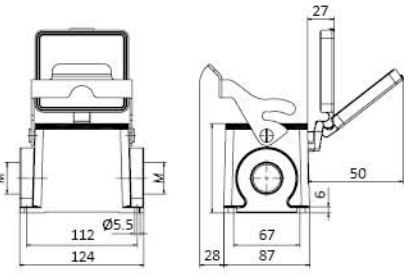


H32B 带双扣防护外壳 WITH 2 LEVERS ON THE HOODS/HOUSINGS

名称 Identification	型号 Type	订货号 Part No.	Metr.	比例图 Drawing	尺寸: 单位 Dimensions in mm
上壳 双扣侧面进线 Double levers Side entry 	H32B-TS-M32 H32B-TS-M40 H32B-TS-M50	2300320527 2300320528 2300320529	32 40 50		
上壳 双扣顶部进线 Double levers Top entry 	H32B-TG-M32 H32B-TG-M40 H32B-TG-M50 H32B-TG-M63	2300320427 2300320428 2300320429 2300320430	32 40 50 63		
下壳 双扣开孔安装 Double levers bulkhead mounted: bottom entry 	H32B-AG	2300320301		安装开口 Panel cut out 	若只需一个电缆输出端时, 需另外订购封口螺栓 Blind way one cable entry, order blind separately
下壳 双扣表面安装 Double levers surface mounted: side entry 	H32B-SGR-M32 H32B-SGR-M40 H32B-SGR-2M32 H32B-SGR-2M40	2300320232 2300320242 2300320272 2300320273	1×32 1×40 2×32 2×40		若只需一个电缆输出端时, 需另外订购封口螺栓 Blind way one cable entry, order blind separately
下壳 双扣电缆对接外壳 Double levers cable to cable hood 	H32B-TBF-M32 H32B-TBF-M40 H32B-TBF-M50 H32B-TBF-M63	2300320737 2300320738 2300320739 2300320740	32 40 50 63		

备注 Notes: 开孔尺寸图请参照 6.12.2 页

H32B 带单扣防护外壳 WITH 1 LEVERS ON THE HOODS/HOUSINGS

名称 Identification	型号 Type	订货号 Part No.	Metr.	比例图 Drawing	尺寸: 单位 Dimensions in mm
上壳 单扣侧面进线 Single levers side entry 	H32B-TS-RO-M32 H32B-TS-RO-M40 H32B-TS-RO-M50	2300320547 2300320548 2300320549	32 40 50		
上壳 单扣顶部进线 Single levers top entry 	H32B-TG-RO-M32 H32B-TG-RO-M40 H32B-TG-RO-M50 H32B-TG-RO-M63	2300320447 2300320448 2300320449 2300320450	32 40 50 63		
下壳 单扣开孔安装 Single levers bulkhead mounted: bottom entry 	H32B-AG-LB	2300320307			
下壳 单扣开孔安装带盖 Single levers bulkhead mounted: bottom entry cover 	H32B-AD-LB	2300320304		带保护盖 With thermo cover 	
下壳 单扣表面安装 Single levers surface mounted: side entry 	H32B-SGR-LB-M32 H32B-SGR-LB-M40 H32B-SGR-LB-2M32 H32B-SGR-LB-2M40	2300321252 2300321253 2300321291 2300321292	1×32 1×40 2×32 2×40		
下壳 单扣表面安装带盖 Single levers surface mounted: side entry cover 	H32B-SDR-LB-M32 H32B-SDR-LB-M40 H32B-SDR-LB-2M32 H32B-SDR-LB-2M40	2300321255 2300321256 2300321295 2300321296	1×32 1×40 2×32 2×40	带保护盖 With thermo cover 	

备注 Notes: 开孔尺寸图请参照 6.12.2 页